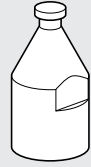
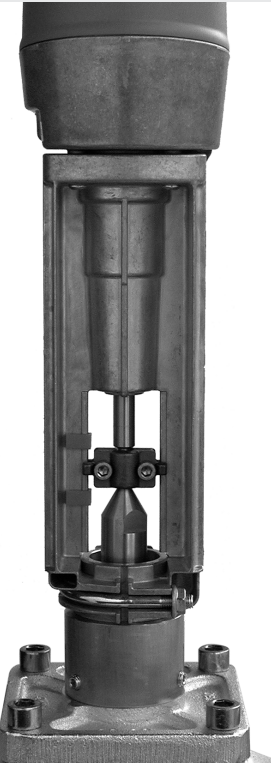


**A** AV24...-R



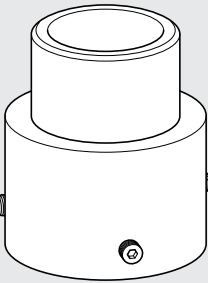
**C<sub>2</sub>**



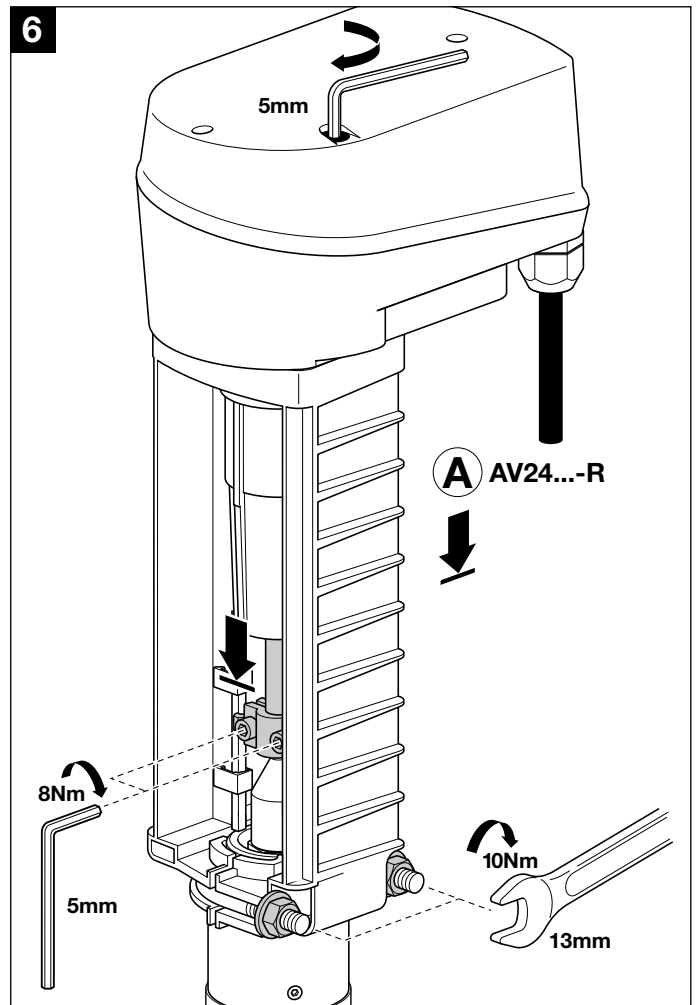
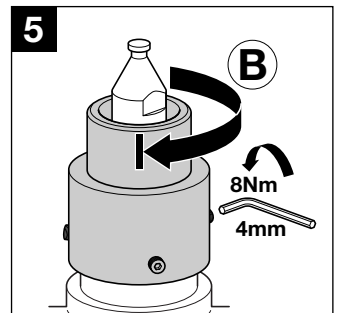
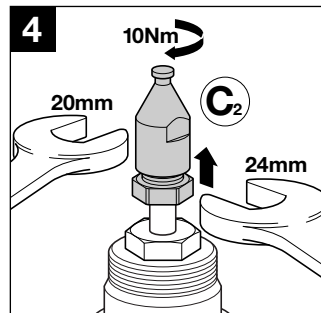
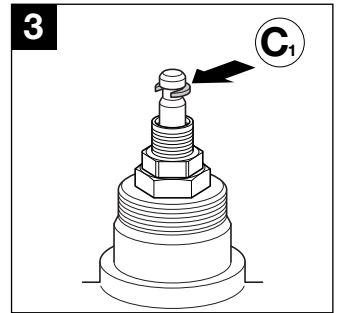
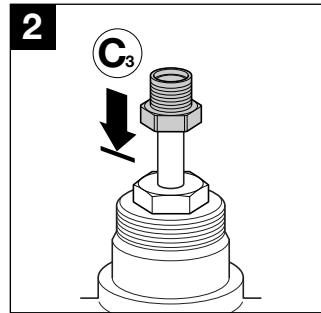
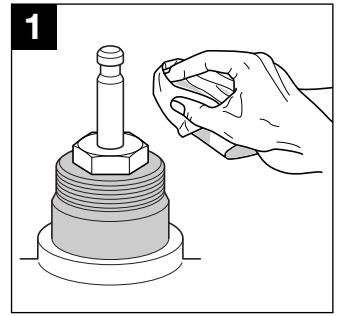
**C<sub>1</sub>**



**C<sub>3</sub>**



**B**

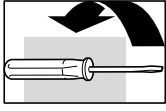


JOHNSON	DN	t
---------	----	---

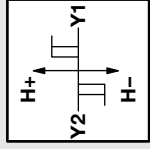
	VBF-0XX4	65 ... 100	2 ... 150°C
	VBF-2XX4	65 ... 100	
	VG84XX4	50 ... 150	
	VBD-4XX4	65 ... 150	

	VG82XX	50 ... 150	2 ... 150°C
--	--------	------------	-------------

	VBF-0XX8	65 ... 100	2 ... 150°C
	VBF-2XX8	65 ... 100	
	VG88XX	50 ... 150	
	VG89XX	50 ... 150	
	VBD-4XX8	50 ... 150	

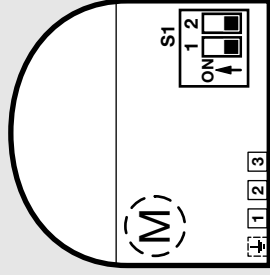
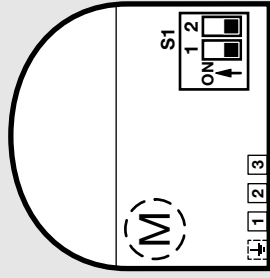


AV24-3-R / AV230-3-R

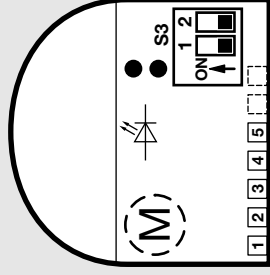
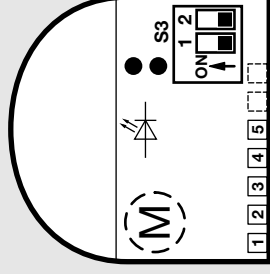
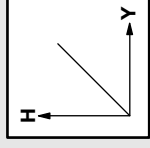


→ 7,5s/mm

→ 4,5s/mm



AV24-MFT2-R / AV24LON-R

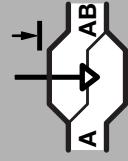


JOHNSON

- VBF-0XX4
- VBF-2XX4
- VG84XX4
- VBD-4XX4



- VG82XX



- VBF-0XX8
- VBF-2XX8
- VG88XX
- VG89XX
- VBD-4XX8



S1.1 S1.2 S1.1 S1.2 S3.1 S3.2 S3.1 S3.2