

HORA	DN	t
------	----	---



BR206GG
BR216GG
BR216RGA

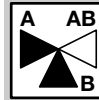
15 ... 50 (65)
15 ... 50 (65)
1/2" ... 2"

2 ... 120°C

BR225RG

15 ... 25

2 ... 120°C

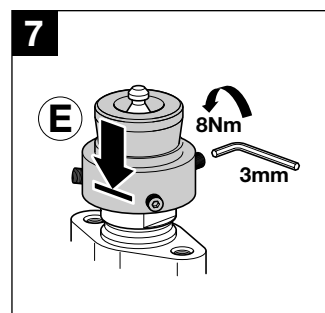
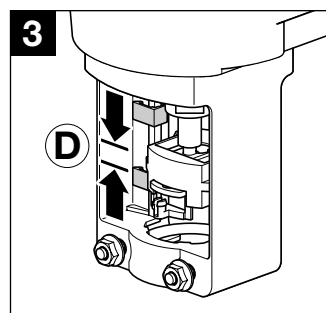
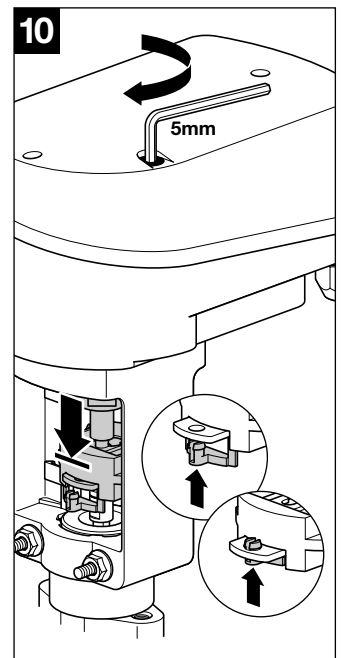
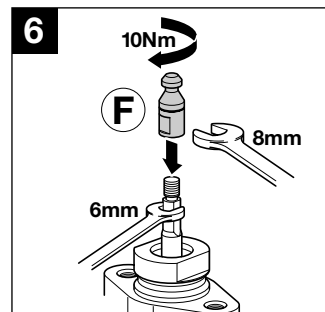
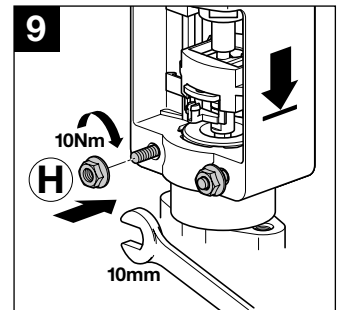
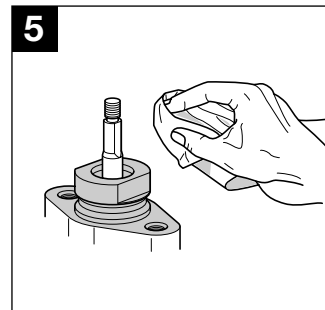
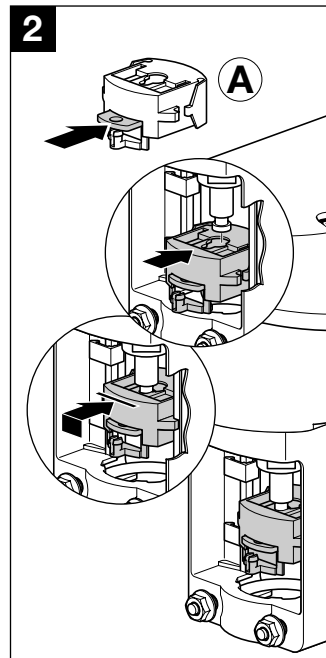
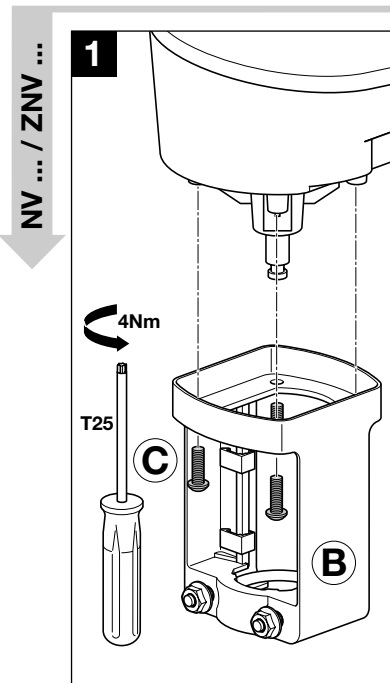
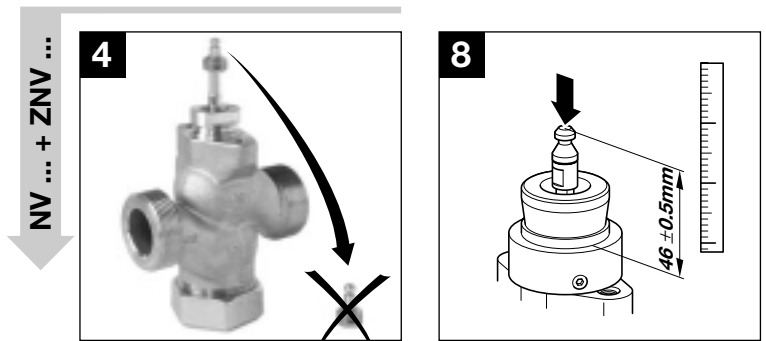


BR306GG
BR316GG
BR316RGA

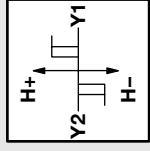
15 ... 50 (65)
15 ... 50 (65)
1/2" ... 2"

2 ... 120°C

Konsol ingår i motorleverans

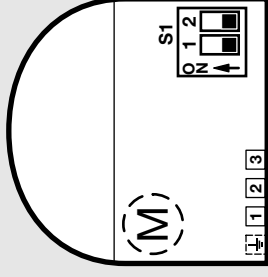
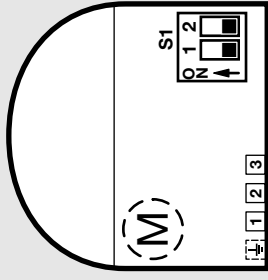


NV24-3(-T)
NV230-3(-T)

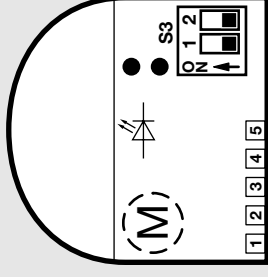
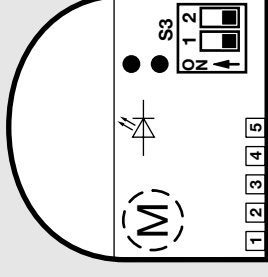
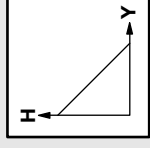
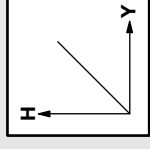


→ 7,5s/mm

→ 4,5s/mm



NV24--MFT(-T)
NVF24--MFT(-T)
NVF24--MFT-E(-T)



HORA

S1.1

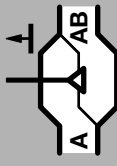
S1.1

S3.1

S3.1

S3.2

BR206GG
BR216GG
BR216RGA



BR225RG

BR306GG
BR316GG
BR316RGA

