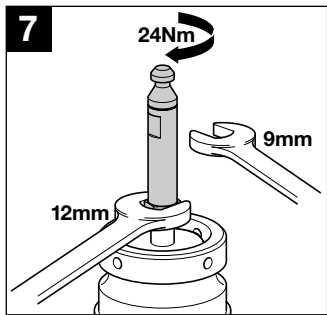
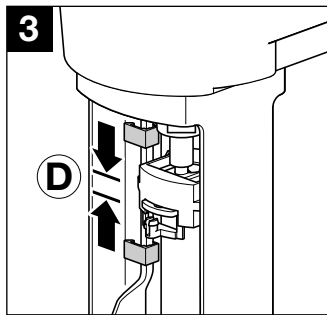
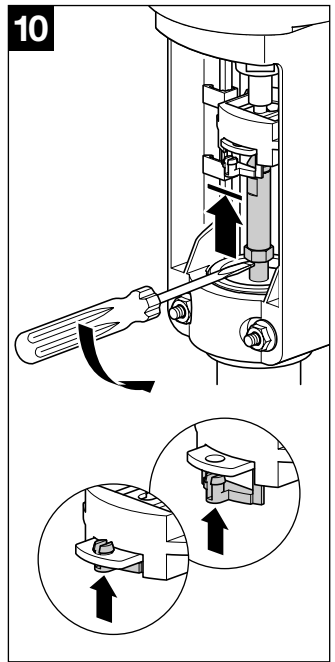
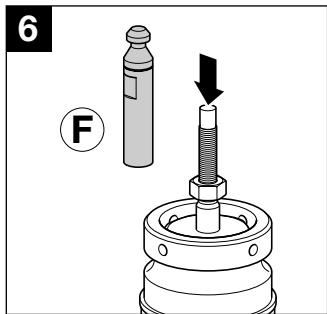
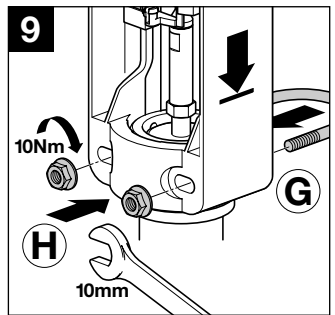
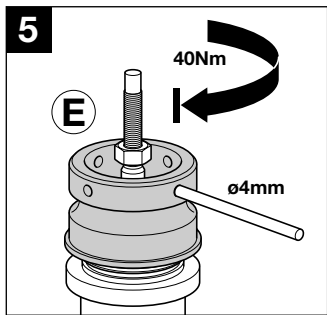
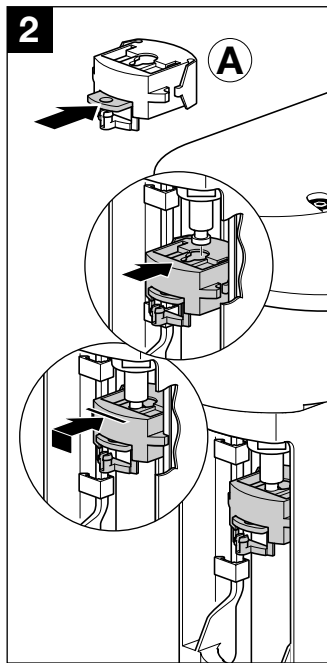
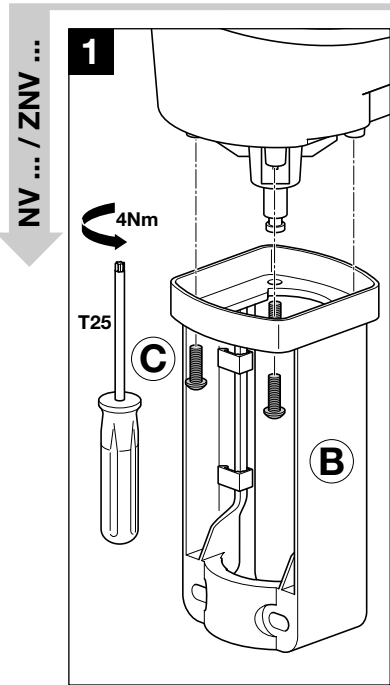
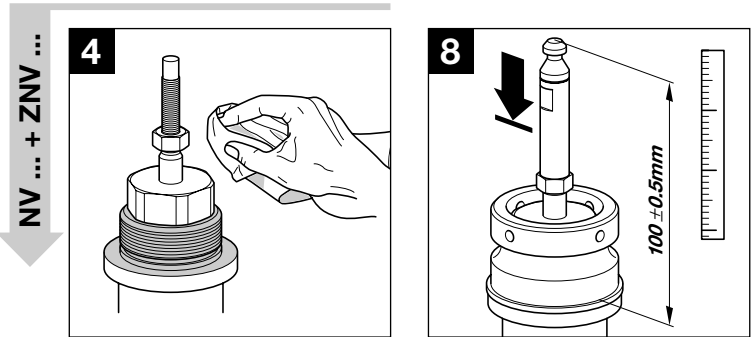


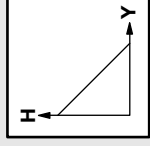
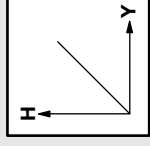
SATCHWELL	DN	t
-----------	----	---

	<p>VZ VSF</p>	<p>1/2" ... 2" 15 ... 25</p>	<p>2 ... 150°C</p>
	<p>MZ MJF</p>	<p>1/2" ... 2" 15 ... 25</p>	<p>2 ... 150°C</p>

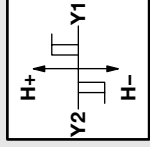
Konsol ingår i motorleverans



NV24-MFT(-T)  
NVF24-MFT(-T)  
NVF24-MFT-E(-T)

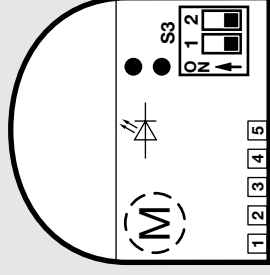
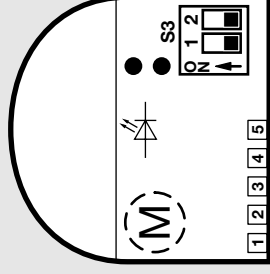
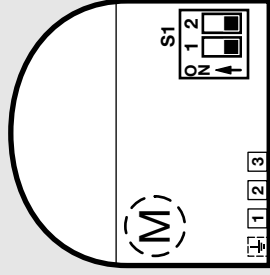
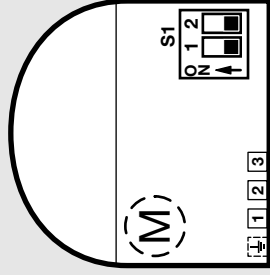


NV24-3(-T)  
NV230-3(-T)



→ 7,5s/mm

→ 4,5s/mm



SATCHWELL

S1.1

S1.2

S1.1

S1.2

S3.1

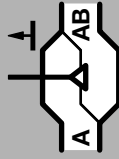
S3.2

S3.1

S3.2



VZ  
VSF



ON ↑

ON ↑

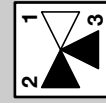
ON ↑

ON ↑

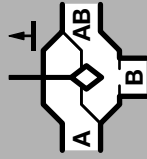
ON ↑

ON ↑

ON ↑



MZ  
MJF



ON ↑

ON ↑

ON ↑

ON ↑

ON ↑

ON ↑

ON ↑

