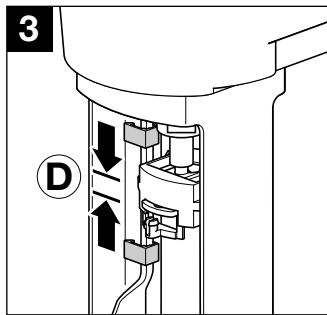
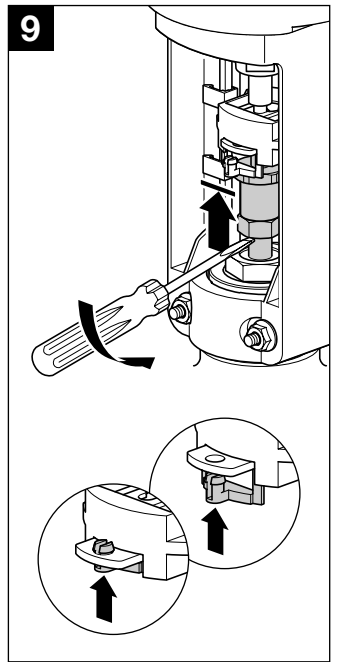
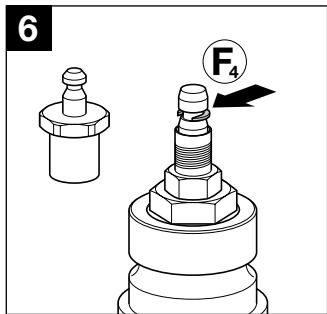
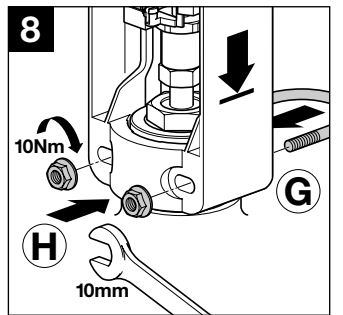
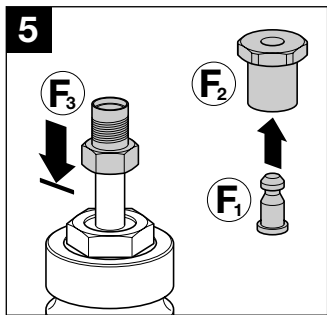
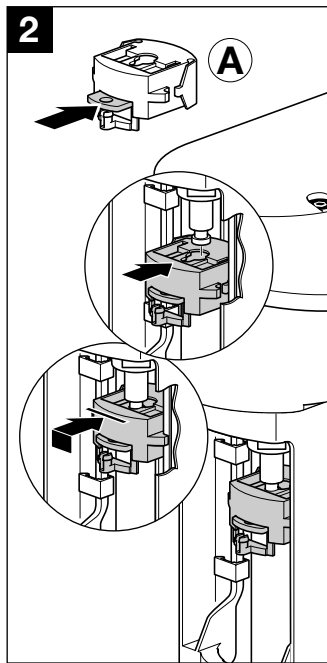
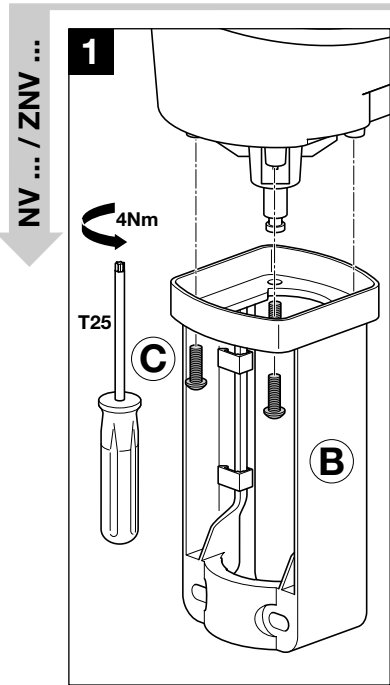
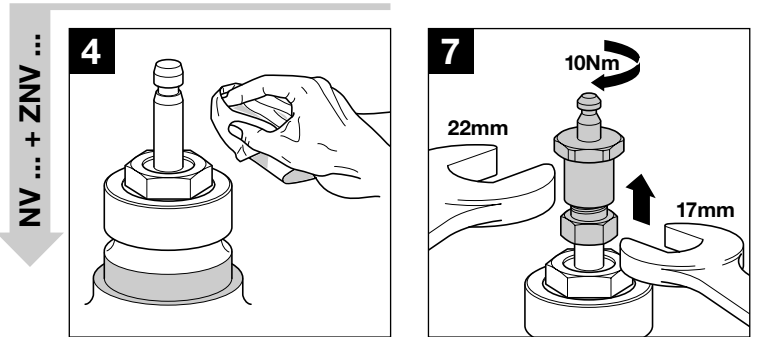


SIEMENS	DN	t
---------	----	---

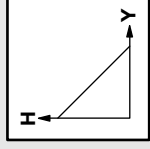
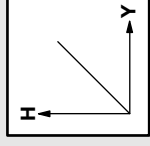
	VVF21	25 ... 80	2 ... 150°C
	VVF31	25 ... 80	
	VVG41	1/2" ... 2"	
	VVF41	15 ... 50	
	VVF52	15 ... 40	
	VVF61	15 ... 25	

	VXF21	25 ... 80	2 ... 150°C
	VXF31	25 ... 80	
	VXG41	1/2" ... 2"	
	VXF41	15 ... 50	
	VXF52	15 ... 40	
	VXF62	15 ... 25	

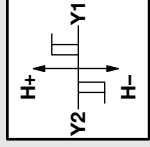
Konsol ingår i motorleverans



NV24-MFT(-T)
NVF24-MFT(-T)
NVF24-MFT-E(-T)

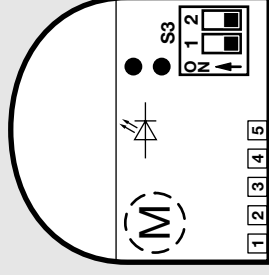
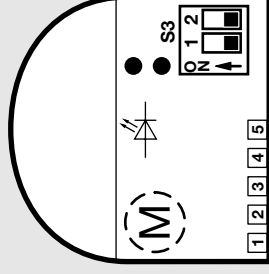
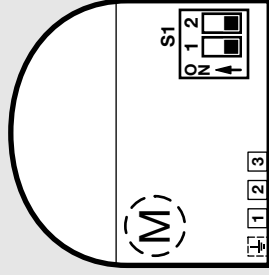
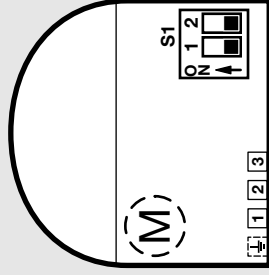


NV24-3(-T)
NV230-3(-T)



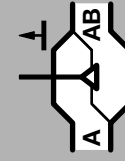
→ 7,5s/mm

→ 4,5s/mm

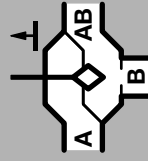


SIEMENS

WF21
WF31
WVG41
WF41
WF52
VPF52
WVF61



VXF21
VXF31
VXG41
VXF41
VXF62



S1.1

S1.2

S1.1

S1.2

S3.1

S3.2

S3.1

S3.2

ON

