

p0010707

Dampers up to approx. 3 m²

Modulating damper actuator (AC/DC 24 V)

Suitable for L & G Polygyr control DC 0...10 V

Position feedback DC 0.5...9.5 V

Versatility of control

Control is effected by a controller L & G Polygyr DC 0...10 V, or a positioner 0...1000 Ω.

Improved functional safety

The damper actuator has no limit switches and is overload-proof. It stops automatically when it reaches the damper or actuator end stop.

Easy functional check

A functional check of damper operation is simplicity itself: the gearing can be disengaged by simply pressing a pushbutton on top of the case. While the pushbutton remains depressed, the damper can be operated by hand.

Simple installation

The damper actuator is fitted with a universal spindle clamp for quick and easy mounting directly on the damper spindle. The actuator is supplied with an anti-rotation strap for fixing it in position.

Electrical accessories* (see Doc. 2. Z-...)

- S1, S2 Auxiliary switches, page 13
- P... Feedback potentiometer, page 15
- *ZAD24 Digital position indicator

Mechanical accessories

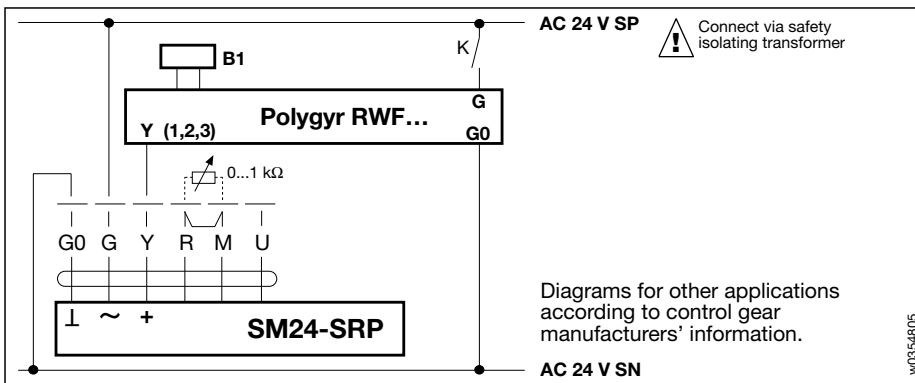
- ZG-SM2 Damper linkage kit, page 17
- ZDB Limit stop, page 17

Mounting instructions, page 18




Important

Read the notes about the use and torque requirements of the damper actuators on page 3.

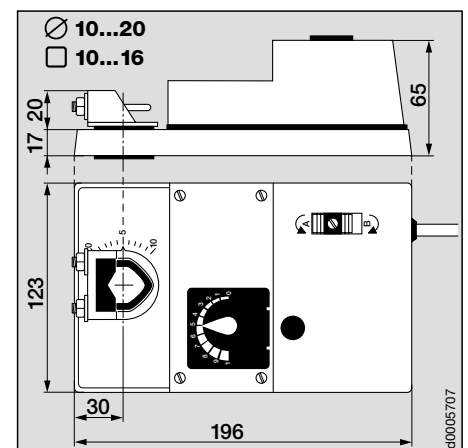
Wiring diagram



w0354805

Technical data	SM24-SRP
Nominal voltage	AC 24 V 50/60 Hz, DC 24 V
Nominal voltage range	AC 19.2...28.8 V, DC 21.6...28.8 V
For wire sizing	5 VA
Power consumption	3 W
Connecting cable	0.9 m long, 6×0.75 mm ²
Control signal Y	DC 0...10 V @ from L & G Polygyr
Input resistance	100 kΩ (0.1 mA)
Operating range	DC 0.5...9.5 V
Positioning signal R	0...1 kΩ from potentiom. positioner (bridge R/M removed)
Measuring voltage U	DC 0.5...9.5 V @ max. 0.5 mA
Synchronisation tolerance	± 5%
Direction of rotation (at Y = 0 V)	reversible with switch A/B at switch position A ↻ resp. B ↻
Torque	min. 15 Nm (at rated voltage)
Angle of rotation	mechanically limited to 95°
Running time	100...200 s (0...15 Nm)
Sound power level	max. 45 dB (A)
Position indication	0...10 (0 = stop ↻) and reversible indicator  
Protection class	 (safety low voltage)
Degree of protection	IP 54 (bottom cable entry)
Ambient temperature range	- 30... + 50 °C
Non-operating temperature	- 40... + 80 °C
Humidity test	to EN 60335-1
EMC	CE according to 89/336/EEC, 92/31/EEC, 93/68/EEC
Maintenance	maintenance free
Weight	1460 g

Dimensions



c0005707